

MANUAL TECNICO



COVIELSA

COMERCIAL VIDEO ELECTRONICA, S. A.

Polígono Industrial «El Segre»
Av. Industria, parcela 414, Nave 2

MANUAL TECNICO

FECHA 24 SET. 1993
NUMERO 93 - 0261
MODELO SILVER

ADAPTADOR DE MONEDAS PARA SELECTOR COIN CONTROL C230/5 Y
TESTER DE TENSION

*-CONECTOR

PIN	DESCRIPCION
1	+5v.
2	INPUT A1
3	INPUT A2
4	INPUT A3
5	INPUT A4
6	SALIDA CREDITOS
7	SALIDA CONTADOR
8	N.C.
9	GND

*-SWITCH

MONEDA	SELECCION	CONTADOR	CREDITOS
25	SW6-OFF SW5-OFF	1	1
50	SW6-OFF SW5-OFF	2	2
100	SW6-OFF SW5-OFF	4	4
200	SW6-OFF SW5-OFF	8	8
500	SW6-OFF SW5-OFF	20	20

*PARTIDA A 25 Pts.

MONEDA	SELECCION	CONTADOR	CREDITOS
25/1	SW6-ON SW5-OFF	1	0
25/2	SW6-ON SW5-OFF	1	1
50	SW6-ON SW5-OFF	2	1
100	SW6-ON SW5-OFF	4	2
200	SW6-ON SW5-OFF	8	4
500	SW6-ON SW5-OFF	20	10

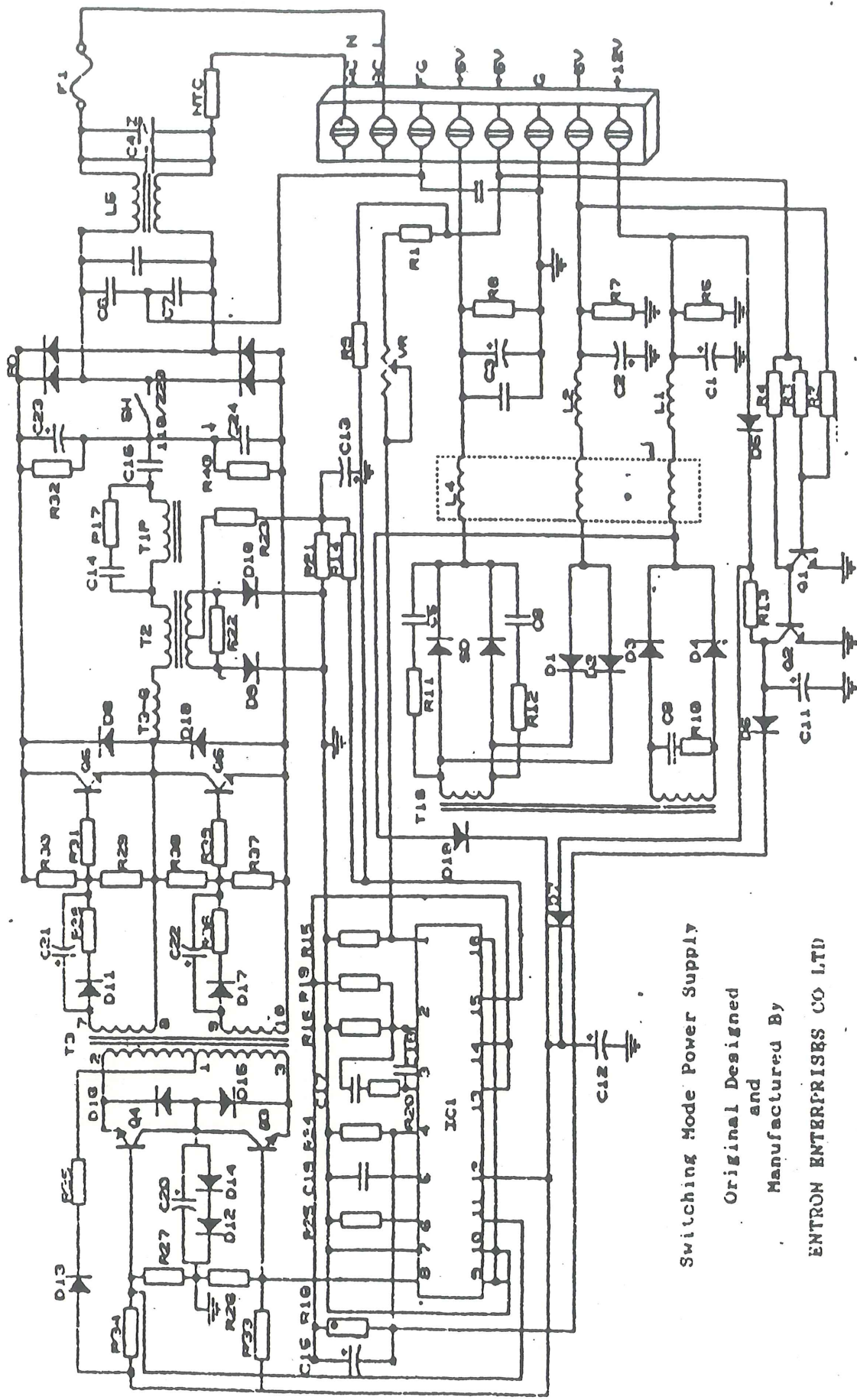
*PARTIDA A 50 Pts.

MONEDA	SELECCION	CONTADOR	CREDITOS
25/1	SW6-ON SW5-ON	1	0
25/2	SW6-ON SW5-ON	1	1
50	SW6-ON SW5-ON	2	1
100	SW6-ON SW5-ON	4	3
200	SW6-ON SW5-ON	8	5
500	SW6-ON SW5-ON	20	11

*PARTIDA A50 Pts. + BONUS.

*- Los switch 1,2,3,4 no se usan.

*- La partida a 25 pts. no tiene bonus.



Switching Mode Power Supply
 Original Designed
 and
 Manufactured By
 ENTRON ENTERPRISES CO LTD